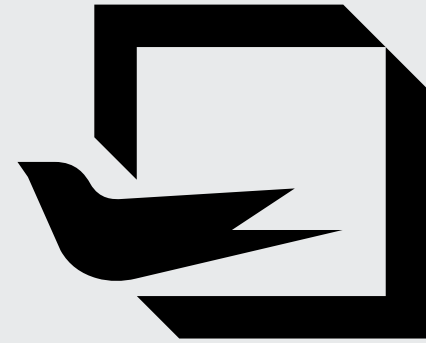


Shutters



OPENING
NEW
HORIZONS

+29

years of experience

+55.000

square meters

+2.500

partners



Optimedia has been producing PVC and Aluminum joineries since 1994, amassing an impressive and modern production system. Since 2006, we have started exporting our products currently having more than 2.500 B2B partners worldwide.

OUR VISION:

To be a leader in the production of PVC and Aluminum joineries, offering support to all our partners. To achieve this, we have kept to our core principles, maintaining the quality of our products and the relationships with our partners as top priorities.

OUR MISSION:

To produce windows and doors that have certified and proven characteristics, manufactured and delivered to the highest market standards.



DOMAL, a HYDRO Group member, distinguishes itself as a market leader in the field of aluminum window, door and accessory systems. With a solid presence in all segments of the aluminum market, this company is committed to developing innovative and sustainable aluminum solutions, specifically created to meet the requirements of contemporary architecture.

As for shading systems, DOMAL offers a wide range of aluminum shutters, recognized for their distinctive design and superior quality. These products are known for the ease and speed with which they can be maintained, their long lasting color and appearance as well as for the entire system's robustness and resistance over time. DOMAL shutters integrate perfectly, both from an aesthetic and a technical point of view, in any architectural context.

domal.it



The story of SOMFY begins in 1969 in the french town of Cluses where the company developed the first tubular motor, opening the way to electric roller blinds, screens, awnings and shutters. In 1997 the company integrates radio technology into its engines. Currently, Somfy approaches the design of its products from an ecological perspective, ensuring lower energy consumption, reliability and environmental protection.

somfy.com

Genovese

WITH FRAME AND SASH

PRODUCT GEOMETRY

45 mm
Frame depth 45 mm

MAXIMUM DIMENSIONS

900 x 2500 mm

SLATS

Oval 50 mm x 10 mm
Trapezoidal 64 mm x 10 mm
Drop shaped 70 mm x 16,7 mm
Wainscot 83 mm x 30 mm

SHADING OPTIONS

Fixed slats positioned at 30° angles
Adjustable slats
Vertical/horizontal wainscot-type panel

EXTRA CONFIGURATION

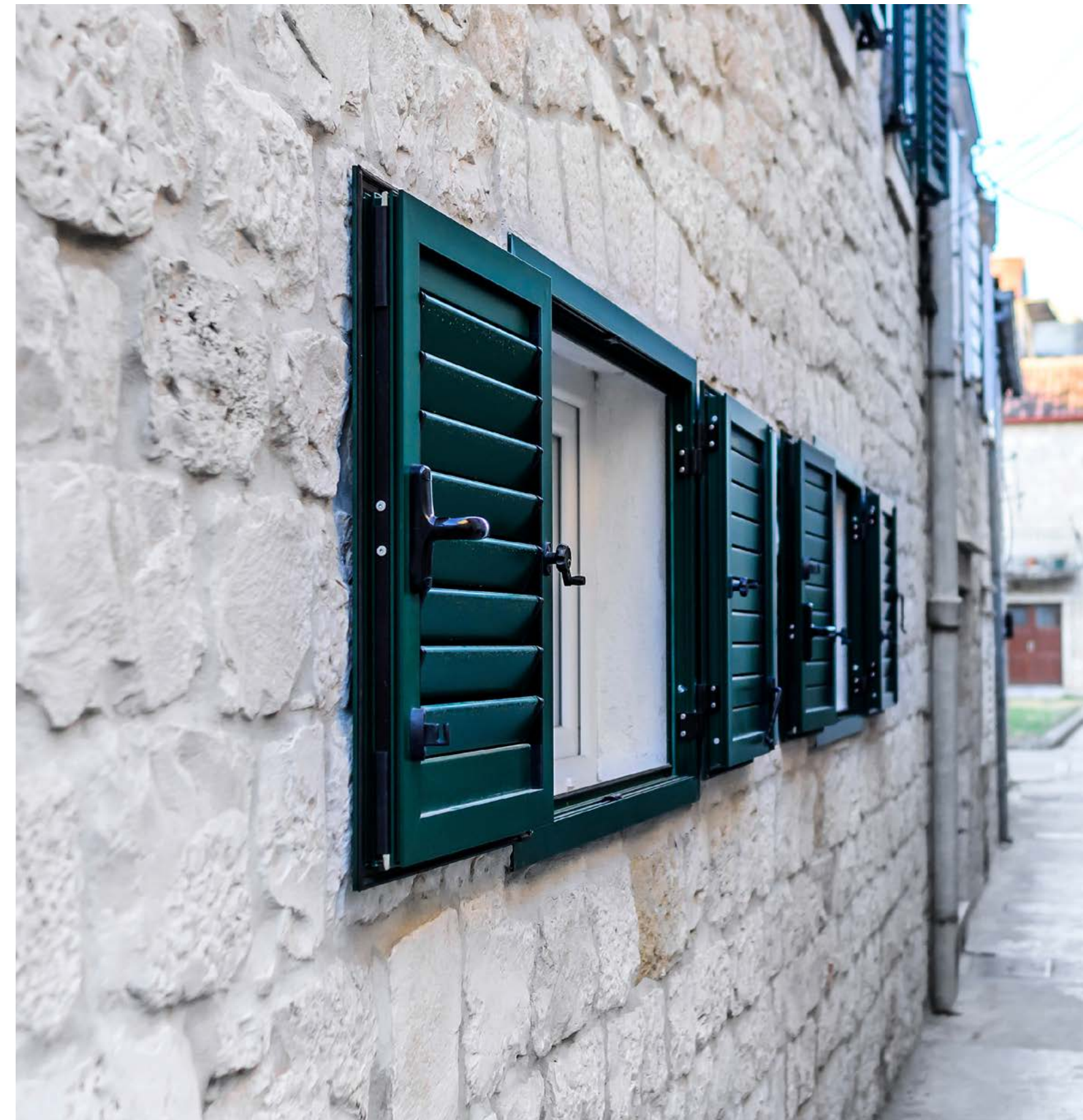
Genovese awning shutters
Z frame 28 mm
Z frame 50 mm



* THE PHOTOS ARE FOR INFORMATIONAL PURPOSES ONLY.



The Genovese shutter series perfectly combines traditional design and heritage with the unparalleled durability and versatility of aluminum. The possibility of integrating different types of slats, both fixed and adjustable, gives flexibility to the system and ensures the desired indoor lighting conditions. The superior material quality guarantees that homes are protected against severe storms and weather conditions whilst also mitigating the risks of break-ins.



Genovese

WITH WINGLESS SASH

PRODUCT GEOMETRY

45 mm

MAXIMUM DIMENSIONS

900 x 2500 mm

SLATS

Oval 50 mm x 10 mm
Trapezoidal 64 mm x 10 mm
Drop shaped 70 mm x 16,7 mm
Wainscot 83 mm x 30 mm

SHADING OPTIONS

Fixed slats positioned at 30° angles
Adjustable slats
Vertical/horizontal wainscot-type panel

EXTRA CONFIGURATION

Genovese awning shutters
Z Frame 28 mm
Z Frame 50 mm



*THE PHOTOS ARE FOR INFORMATIONAL PURPOSES ONLY.



The wingless sash version of the Genovese series allows the production of frameless shutters, efficiently reducing the visible height of the profiles. In this case, the hinges are fixed directly to the wall. Similar to the framed version, the possibility of integrating different types of slats, both fixed and adjustable, gives the system its flexibility whilst also ensuring control over the desired lighting level. These are achieved without neglecting aspects related to the safety and privacy of the homes.



Genovese

WITH WINGED SASH

PRODUCT GEOMETRY

45 mm

MAXIMUM DIMENSIONS

900 x 2500 mm

SLATS

Oval 50 mm x 10 mm
Trapezoidal 64 mm x 10 mm
Drop shaped 70 mm x 16,7 mm
Wainscot 90 mm x 30 mm

SHADING OPTIONS

Fixed slats positioned at 30° angles
Adjustable slats
Vertical/horizontal wainscot-type panel

EXTRA CONFIGURATION

Genovese awning shutters
Z Frame 28 mm
Z Frame 50 mm



* THE PHOTOS ARE FOR INFORMATIONAL PURPOSES ONLY.



The winged Genovese sash series allows for the creation of frameless shutters whilst encasing the entire opening in an elegant way. System flexibility and light control are provided by the different types of slats available. Also, the superior material quality ensures that homes are protected against severe storms and weather conditions as well as break-ins.



Ventimiglia

WITH FRAME AND SASH

PRODUCT GEOMETRY

30 mm
Frame depth 37 mm

MAXIMUM DIMENSIONS

900 x 2500 mm

SLATS

Oval 50 mm x 10 mm
Wainscot 123.5 mm x 9 mm

SHADING OPTIONS

Fixed slats positioned at 30° angles
Vertical/horizontal wainscot-type panel

EXTRA CONFIGURATION

Genovese awning shutters



* THE PHOTOS ARE FOR INFORMATIONAL PURPOSES ONLY.



With the XXMiglia series, we are able to offer you a minimalist shutter solution. With a sash thickness of only 30mm, this system answers all architectural needs and styles, all while providing shading and privacy. The quality of the product and the materials used guarantee the system's durability over time and the protection of the home against environmental factors.



Ventimiglia

WITH WINGLESS SASH

PRODUCT GEOMETRY

30 mm

MAXIMUM DIMENSIONS

900 x 2500 mm

SLATS

Oval 50 mm x 10 mm

Wainscot 123.5 mm x 9 mm

SHADING OPTIONS

Fixed slats positioned at 30° angles
Vertical/horizontal wainscot-type panel

EXTRA CONFIGURATION

Genovese awning shutters



* THE PHOTOS ARE FOR INFORMATIONAL PURPOSES ONLY.

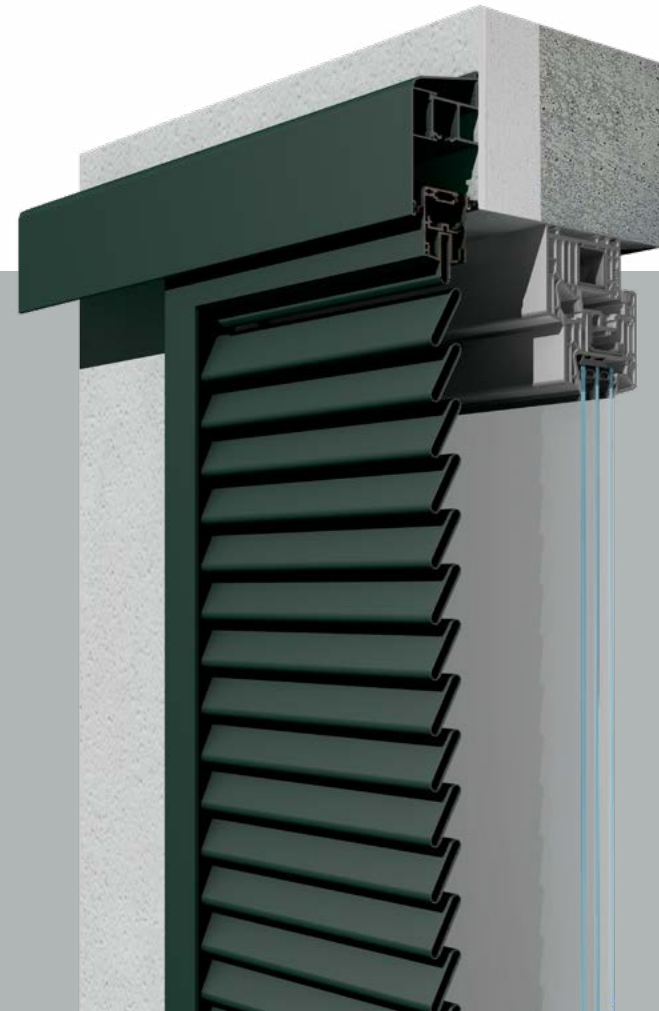


The XXMiglia wingless sash version allows the creation of frameless shutters, thus reducing the visible height of the profiles. With a sash thickness of only 30mm, this system fuses perfectly into various environments, ensuring the shading and privacy of the home as well as the protection of other structural and closing elements.



Slider

WITH FRONT MOUNTED SYSTEM



PRODUCT GEOMETRY

40 mm
Frame depth 65 mm

MAXIMUM DIMENSIONS

900 x 2500 mm

SLATS

Oval 50 mm x 10 mm
Trapezoidal 64 mm x 10 mm
Drop shaped 70 mm x 16,7 mm
Wainscot 90 mm x 16 mm

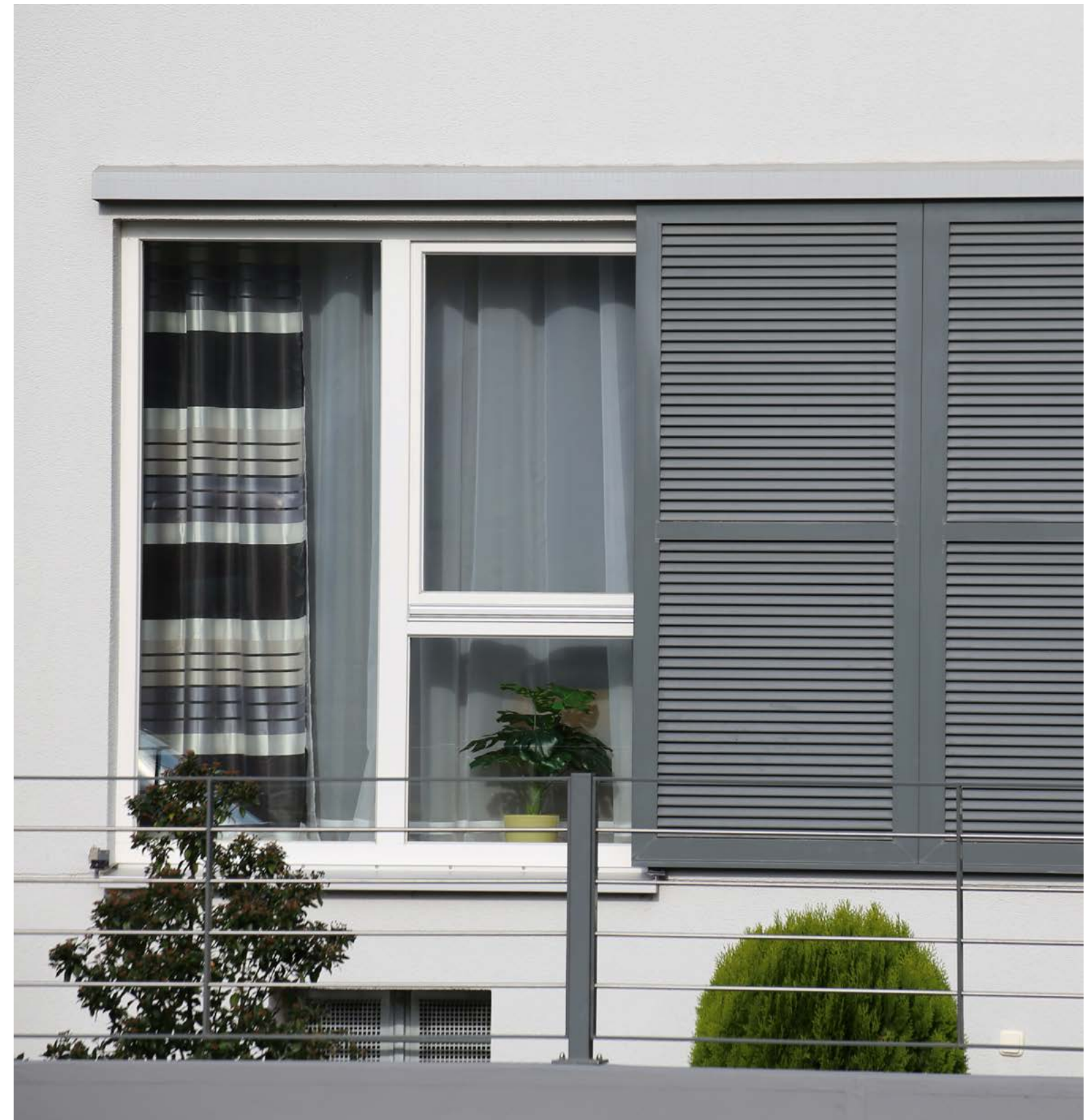
SHADING OPTIONS

Fixed slats positioned at 30° angles
Adjustable slats
Vertical/horizontal wainscot-type panel



Sliding shutter systems facilitate the shading of large glazed surfaces. Among their main advantages are the easy handling of the shutters, their versatility and the aesthetic impact they have on the facade. In addition, since they take up a much smaller volume compared to traditional systems, sliding shutters are the ideal choice when optimal space management is desired.

* THE PHOTOS ARE FOR INFORMATIONAL PURPOSES ONLY.



Slider

WITH INTEGRATED SYSTEM

PRODUCT GEOMETRY

41 mm

MAXIMUM DIMENSIONS

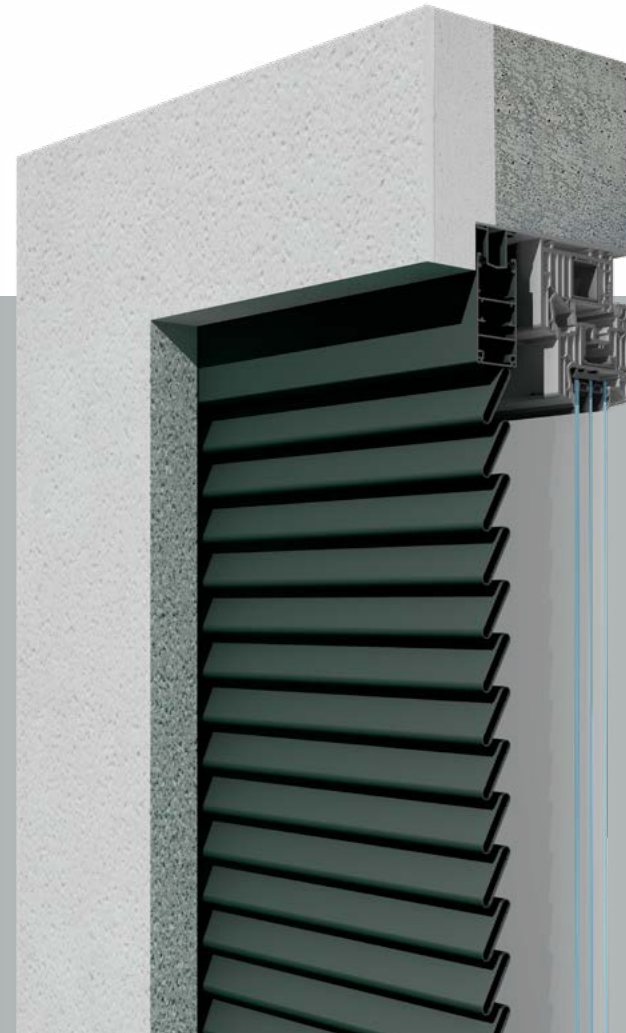
900 x 2500 mm

SLATS

Oval 50 mm x 10 mm
Trapezoidal 64 mm x 10 mm
Drop shaped 70 mm x 16,7 mm
Wainscot 90 mm x 16 mm

SHADING SYSTEM

Fixed slats positioned at 30° angles
Adjustable slats
Vertical/horizontal wainscot-type panel



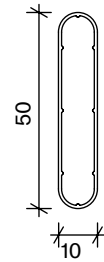
* THE PHOTOS ARE FOR INFORMATIONAL PURPOSES ONLY.



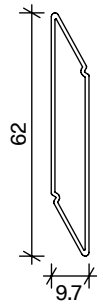
By opting for integrated sliding shutter systems, a minimalist and unitary appearance of the facade can be achieved. This system allows the shutters to be completely hidden behind the facade, whilst maintaining all the advantages offered by classic systems. The numerous types of slats, both fixed and adjustable, give flexibility to the system while ensuring the desired lighting conditions and maintaining the necessary level of safety and privacy inside the home.



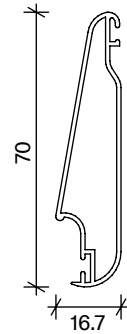
Slat types



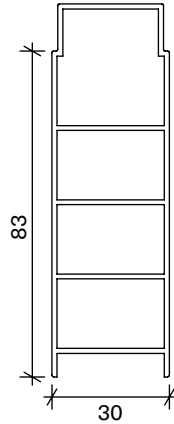
Oval



Trapezoidal



Drop shaped



Wainscot

ADVANTAGES

They help tailor the lighting level inside the home.

They ensure the privacy of the home, whilst preventing break-ins.

They protect the joinery in all weather conditions, whilst also improving the sound and thermal insulation of the home.

From an aesthetic point of view they are a significant and noticeable element of a building's facade, being suitable for both new projects and renovations.

Color sampler

Because we want to answer as best as possible to your requirements, we offer you a varied range of finishes. Available options include glossy, matte, structured, anodized but also wood-effect colors. To ensure the color's durability over time, we guarantee that all the finishes used are treated against corrosion, being suitable for environments with high levels of salinity.

For the shortest possible delivery times we offer you several stock colors and textures to choose from.

STOCK COLORS

Ral 6005 matte



Nussbaum



GoldenOak



Ral 9010 matte



Ral 8017 matte



Motorized options

somfy®



The motorized drive options offered allow our customers an easy and automated use of the shading systems. They also ensure a smooth operation of the shutters thanks to the incorporation of state-of-the-art motors. Motorized shutters are the perfect combination between traditional aesthetic and modern technology.

Through the Somfy motor options, our customers benefit from a wide and versatile range of products, at very competitive price levels. The motors can be incorporated into smart home systems, allowing them to be operated and programmed remotely.

The system has the capability to regulate the opening cycles of the shutters based on the season or outside temperature, enhancing the comfort levels for you and your family. Simultaneously, it elevates the security of your home with the shutters serving as the initial barrier against intrusions.

Intelligent control

Advancements in technology and the growing affordability of components have made it possible to integrate an electric unit into nearly every shutter. Electric control not only guarantees user convenience but also diminishes the maintenance and operational expenses of the building, contributing to a comfortable microclimate within the rooms. Either the TaHoma unit switch, your smartphone or your voice assistant can be utilized to oversee all your shading accessories. Additionally, the intelligent control feature enables you to remotely access the entire system, providing the capability to check or close your shutters.



ADVANTAGES

Confort and safety

Easy control of the shutters with your device

Extended life span

Smooth start and stop to protect the shutter elements and the engines

Obstacle detection

If an obstacle is detected during closing, the shutters reopen immediately

Resistance to intrusions

Forced entry resistance, the shutters are locked when the system is closed

Protection in case of freezing temperatures

The engine stops in case of freezing temperatures

High rezistance in case of wind

The shutters sit open during strong wind

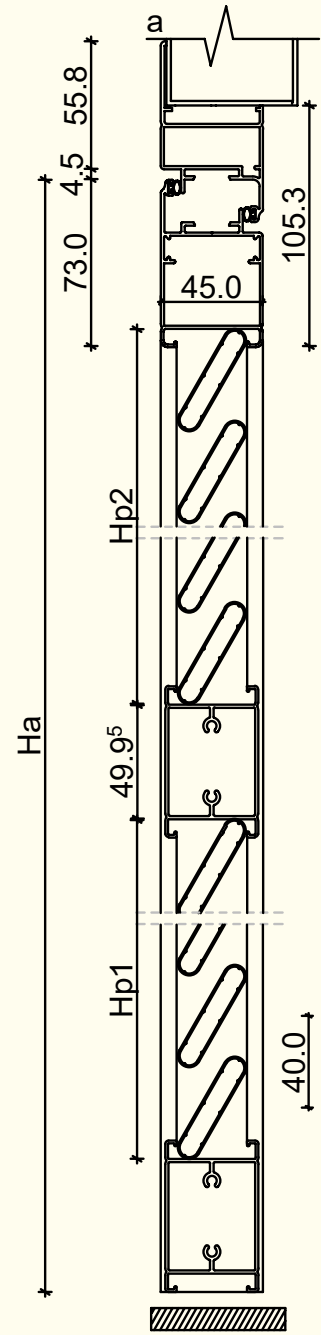
Battery back-up in case of black-out

The emergency battery has a life span of 5 days or 20 opening cycles

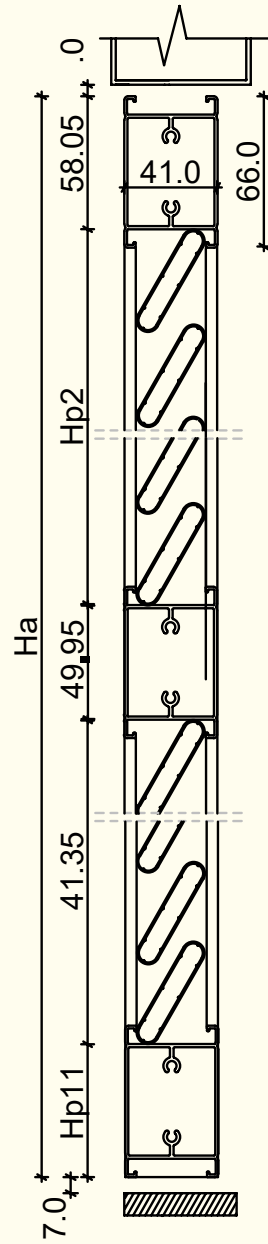
Conserved aesthetics

The engine is discreetly mounted

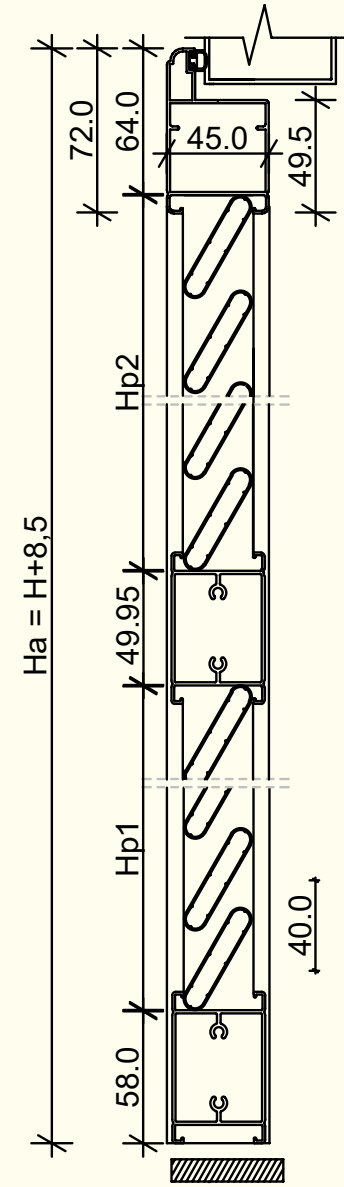
GENOVESE WITH FRAME AND SASH



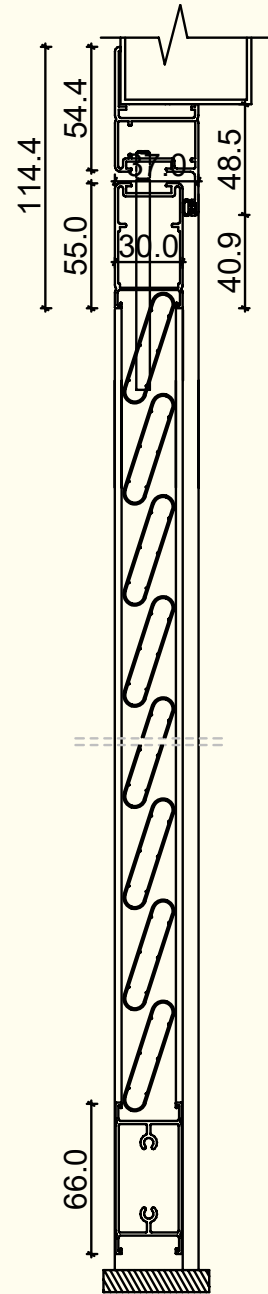
GENOVESE WITH WINGLESS SASH



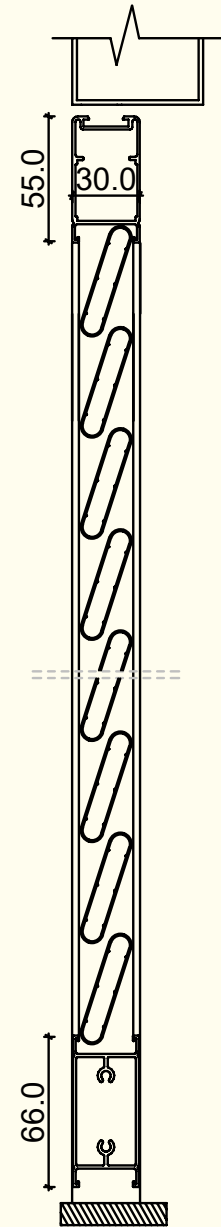
GENOVESE WITH WINGED SASH



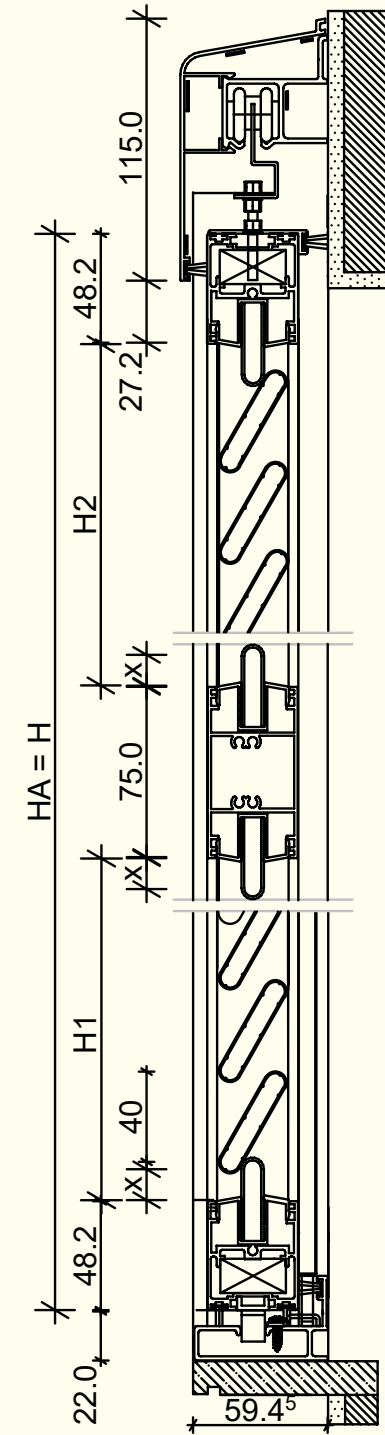
VENTIMIGLIA WITH FRAME AND SASH



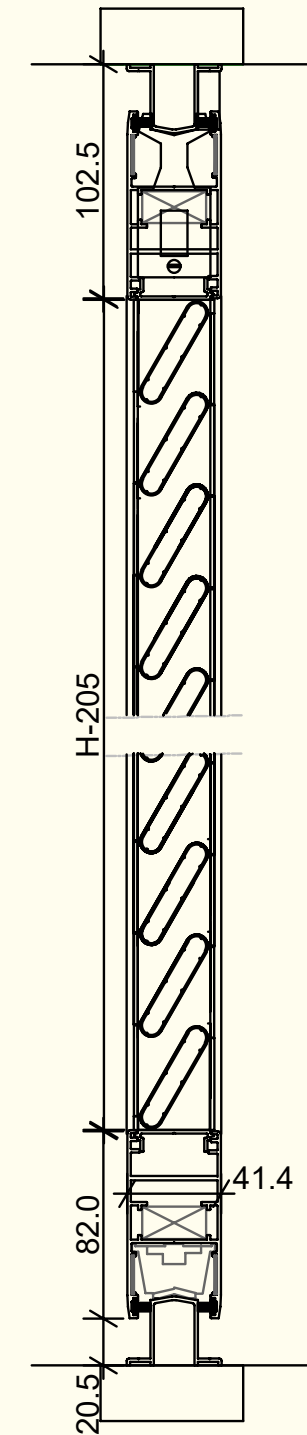
VENTIMIGLIA WITH WINGLESS SASH



SLIDER WITH FRONT MOUNTED SYSTEM



SLIDER WITH INTEGRATED SYSTEM



Join the Optimedia team

We are constantly recruiting agents to represent Optimedia. We export to all continents and offer extensive sales support and packages so you can be an exceptional dealer in your area.



Contact

 [optimedia](#)

 [Optimedia SRL](#)

 [optimedia.eu](#)

 optimedia.eu





S.C. OPTIMEDIA S.R.L.
Calea Sântandrei, nr. 38
410238, Oradea, România
+40 259 442 821
worldwide@optimedia.eu

optimedia.eu